

You can count on us...



Version 3/ 2019

Recirculating air cooling units

Compact solutions for e.g. server rooms with integrated mechanical cooling system or cold water coil



HANSA is a member of the association of manufacturers for air conditioning devices (Raumlufttechnische Geräte e.V.)

ReCool Line

About us

The company

Since 1971, the headquarter of HANSA Klimasysteme GmbH is located in Strücklingen in the district of Saterland, which, along with its Sater Friesian, is known as Germany's smallest linguistic enclave. In contrast, we speak in plain language about our products. We have been guaranteeing sophisticated and high-quality air conditioning systems for more than 45 years.

Since the founding of the company, we have been known for the construction of air-conditioning systems for schools, sports halls, swimming pools and hospitals as well as for the use in industries and process engineering in Germany and world wide.

As member of the association of manufacturers for air conditioning devices (RLT Herstellerverbandes e.V.), we undertake to construct our devices according to the associations' guidelines to always guarantee quality, operational safety and legal security for our customers and operators of our devices. Our certified (TÜV Süd) construction software ensures comparable energy efficiency labeling.

The construction and production are performed in QM-conditions according to DIN EN ISO 9001:2015.

Our product range

Custom solutions for a range of applications is the central point of our work. We produce individual units for ventilation, air conditioning, heat dissipation and dehumidification.

Also, we offer configurable and scalable standard AHUs for a range of applications.



DIN EN ISO 9001
REG.-NR. Q1 0195002



HANSA factory site

Compact heat dissipation devices

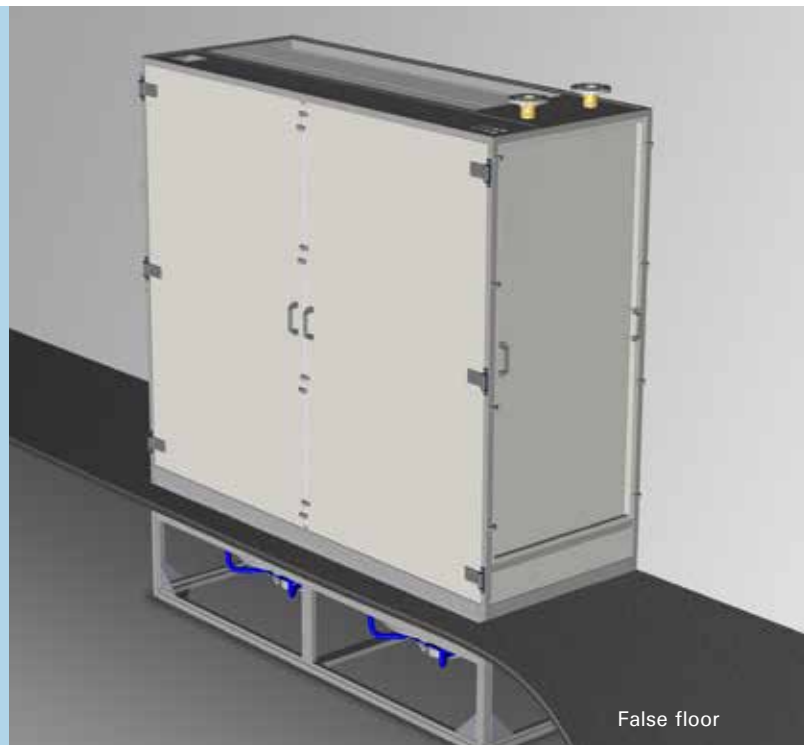
ReCool Line recirculating air cooling devices

VDI 6022 compliant (with FreeCool module) recirculating air cooling devices for heat dissipation of e.g. server rooms with and without false floor. ReCool Line units contain a mechanical cooling device with direct evaporator or a cold water coil including hydraulic system. They include class ISO ePM2.5 65% return air filters.

ReCool Line recirculating air cooling devices can be customized to optimally fit the project.

Options

- integrated mechanical cooling: hot gas bypass valve or digital scroll compressor with direct evaporator
- Cold water coil: hydraulic circuit with two- or three-way valve and pump
- DDC: Saia or HEC; Touchpanel or hand held device
- FreeCool module enabling free cooling by means of outside air



Advantages

- compact
- integratable into BMS
- Automatic or manual operation
- various redundancies possible
- trouble-free insertion (just 800 mm depth)
- extensible (FreeCool module)

Technical data

Technical data ReCool Line including cold water coil

Type	ReCool Line 03-KW	ReCool Line 05-KW	ReCool Line 10-KW	ReCool Line 18-KW
Supply air flow [m ³ /h]	3 000	5 000	10 000	18 000
Cold capacity [kW] $\Delta T = 14 K$ 36 °C / 35% r.H. → 22 °C	13,5	22	44	88
Electrical connection	400 V / 50Hz 4,5 A / 2,2 kW	400 V / 50Hz 6 A / 3 kW	400 V / 50Hz 8 A / 4,5 kW	400 V / 50Hz 15 A / 8 kW

Dimensions

L [mm]	1 100	1 100	1 700	2 300
H 1 [mm]	1 950	1 950	1 950	1 950
H 2 [mm]	635	635	635	635
W [mm]	880	880	880	880

Cooling medium: Water Medium temperature: 10/16 °C

Ext. pressure: 200 Pa

Filter class: ISO ePM2.5 65%

Technical data ReCool Line including direct evaporator

Type	ReCool Line 03-iK	ReCool Line 05-iK	ReCool Line 10-iK	ReCool Line 18-iK
Supply air flow [m ³ /h]	3 000	5 000	10 000	18 000
Cold capacity [kW] $\Delta T = 14 K$ 36 °C / 35% r.H. → 22 °C	13,5	22	44	88
Electrical connection	400 V / 50Hz 14,5 A / 7,2 kW	400 V / 50Hz 21 A / 11 kW	400 V / 50Hz 38 A / 20,5 kW	400 V / 50Hz 60 A / 34,5 kW

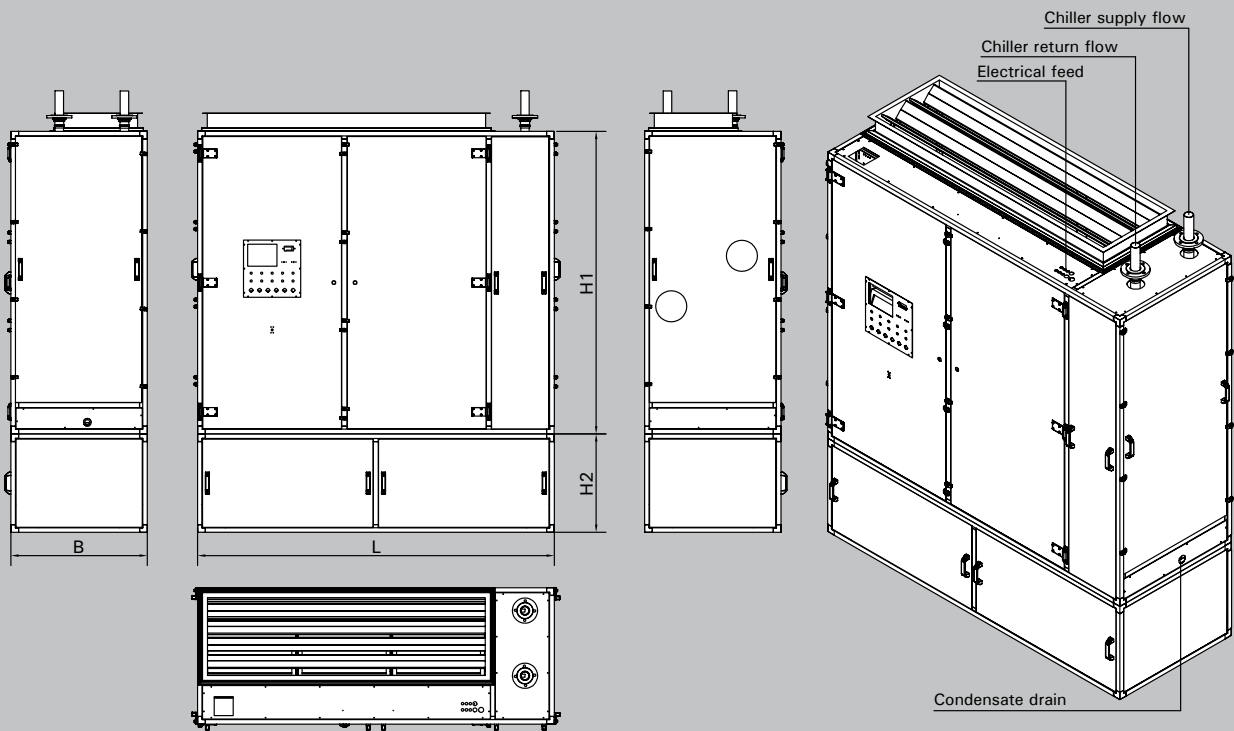
Dimensions

L [mm]	1 350	1 350	2 150	2 700
H 1 [mm]	1 950	1 950	1 950	1 950
H 2 [mm]	635	635	635	635
W [mm]	880	880	880	880

Refrigerant: R407C

Ext. pressure: 200 Pa

Filter class ISO ePM2.5 65%



Example: Sketch of a ReCool Line 18-KW with cold water coil



ReCool Line 18-iK with integrated mechanical cooling

HANSA Air Conditioning Systems



Find your contact:



HANSA Klimasysteme GmbH
Stockweg 19
D-26683 Saterland / Strücklingen
☎ +49 4498 890
☎ +49 4498 687
✉ info@hansa-klima.de
🌐 www.hansa-klima.de



www.hansa-klima.de/en/sales/national



www.hansa-klima.de/en/sales/international